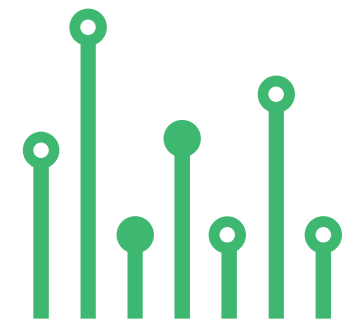


THE
electronics-lab
.com
**from ideas to
boards**

[electronics-lab - Projects](#) | [Embedded News](#) | [Online Community](#) | [e-Shop](#)

Open Source Hardware Electronics Projects

[electronics-lab.com /projects](https://electronics-lab.com/projects)





AUDIO



Stereo Audio Processor for Home TV Audio



SKU: EL139576

AUDIO

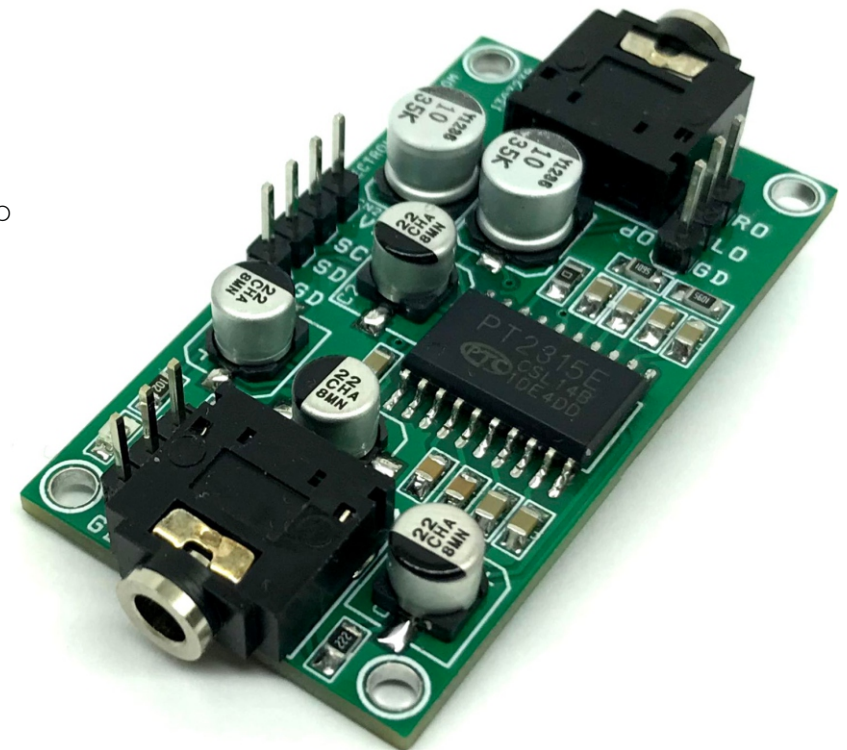
Stereo Audio Processor for Home TV Audio



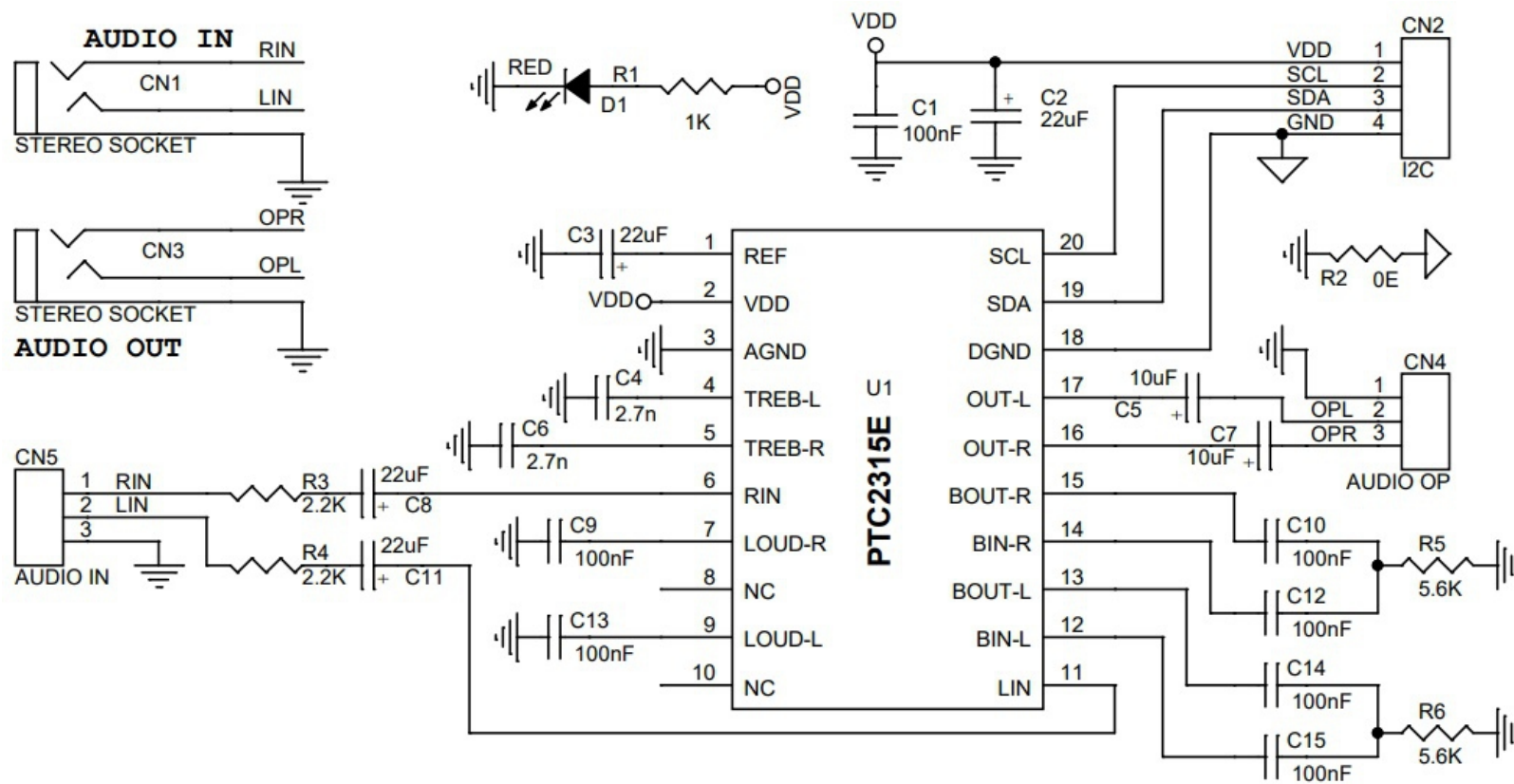
This PT2315E IC-based audio processor is designed for versatile applications and includes master volume control with low-frequency loudness compensation, speaker output attenuator, and tone control. It is a good solution for home audio signal processing. Due to the high-reliability requirement from the audio business, the PT2315E improves both audio performances and input surge current capability and these cause the PT2315E to be the best solution for the cost-effective audio systems.

FEATURES

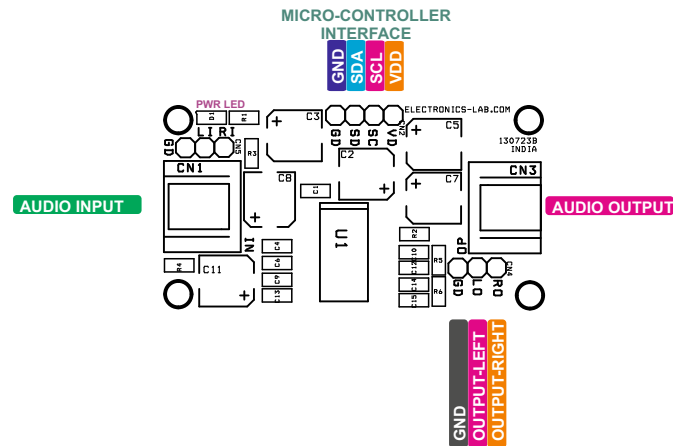
- Power Supply 5V DC (Range 4V to 10V)
- Master volume from 0 dB to -78.75dB in 1.25dB/step
- Speaker attenuator for balance, range from 0dB to -38.75dB in 1.25dB/step
- Each channel output can be muted individually.
- Low frequency loudness compensation
- All Controls using I2C Interface
- Bass and Treble control, range from -14dB to +14dB in 2dB/step
- Low harmonic distortion, low noise
- PCB Dimensions 51.12 X 27.78MM
- 4 X 2.5MM Mounting Holes



Schematic



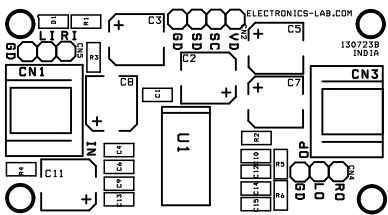
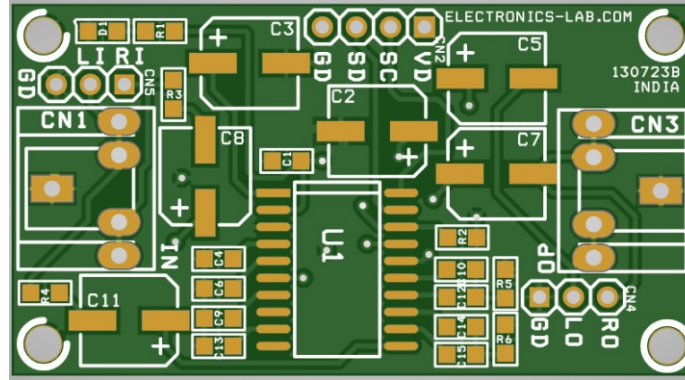
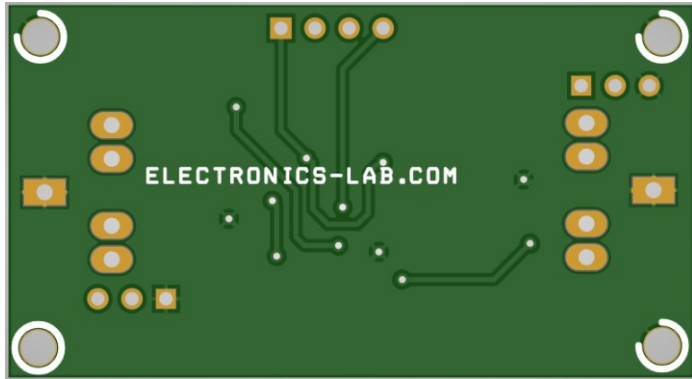
Connections



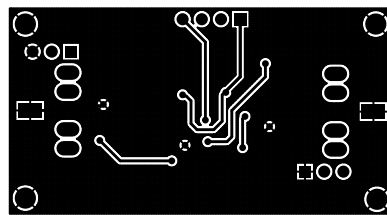
Connections and Other Details

- CN1: 3.5MM Stereo EP Female Socket Audio Input
- CN2: Pin 1 = VDD, Pin 2 = SCL, Pin 3 = SDA, Pin 4 = GND (I2C)
- CN3: 3.5MM Stereo EP Female Socket Audio Input
- CN4: Optional Audio Output Header Connector Pin1 = GND, Pin 2 = Audio Output Left Chnl, Pin 3 = Audio Output Right Chnl
- CN5: Optional Audio Output Header Connector Pin1 = Audio Input Right Chnl, Pin 2 = Audio Input Left Chnl, Pin 3 = GND
- D1: Power LED

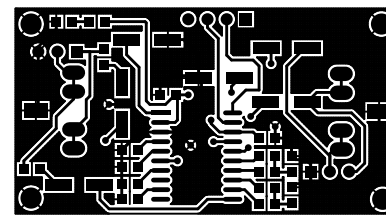
PCB



SILK SCREEN TOP



BOTTOM LAYER



TOP LAYER

PCB DIMENSIONS 51.12 X 27.78MM

Parts List

| BOM | | | | | | |
|-----|-------|---------------------------|---------------------------------|----------------|----------|------------------|
| NO. | QNTY. | REF | DESC. | MANUFACTURER | SUPPLIER | SUPPLIER PART NO |
| 1 | 2 | CN1,CN3 | 3.5MM STEREO EP FEMALE SOCKET | CUI AUDIO | DIGIKEY | CP1-3525N-ND |
| 2 | 1 | CN2 | 4 PIN MALE HEADER PITCH 2.54MM | WURTH | DIGIKEY | 732-5317-ND |
| 3 | 1 | CN4 | 3 PIN MALE HEADER PITCH 2.54MM | WURTH | DIGIKEY | 732-5316-ND |
| 4 | 1 | CN5 | 3 PIN MALE HEADER PITCH 2.54MM | WURTH | DIGIKEY | 732-5316-ND |
| 5 | 7 | C1,C9,C10,C12,C13,C14,C15 | 100nF/50V CERAMIC SMD SIZE 0805 | YAGEO/MURATA | DIGIKEY | |
| 6 | 4 | C2,C3,C8,C11 | 22uF/16V-50V SMD ELECTROLYTIC | NICHICON | DIGIKEY | 493-10060-1-ND |
| 7 | 2 | C4,C6 | 2.7n/50V CERAMIC SMD SIZE 0805 | YAGEO/MURATA | DIGIKEY | |
| 8 | 2 | C5,C7 | 10uF/16V-50V SMD ELECTROLYTIC | PANASONIC | DIGIKEY | PCE3947CT-ND |
| 9 | 1 | D1 | LED SMD SIZE 0805 | LITE ON INC | DIGIKEY | 160-1427-1-ND |
| 10 | 1 | R1 | 1K 5% SMD SIZE 0805 | YAGEO/MURATA | DIGIKEY | |
| 11 | 1 | R2 | 0E SMD SIZE 0805 | YAGEO/MURATA | DIGIKEY | |
| 12 | 2 | R3,R4 | 2.2K 5% SMD SIZE 0805 | YAGEO/MURATA | DIGIKEY | |
| 13 | 2 | R5,R6 | 5.6K 5% SMD SIZE 0805 | YAGEO/MURATA | DIGIKEY | |
| 14 | 1 | U1 | PTC2315E SOP20 | PRINCETON TECH | EBAY | ALIEXPRESS/EBAY |

Notes



APP

Android App

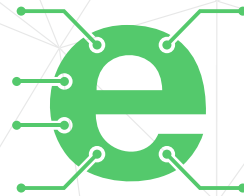
DOWNLOAD



Android App launched in 2017 and has 100k+ downloads - rated with 4.5 stars.

SCAN QR CODE





Keep
In touch..

electronics-lab
.com

info@electronics-lab.com
www.electronics-lab.com

from ideas to **boards**

